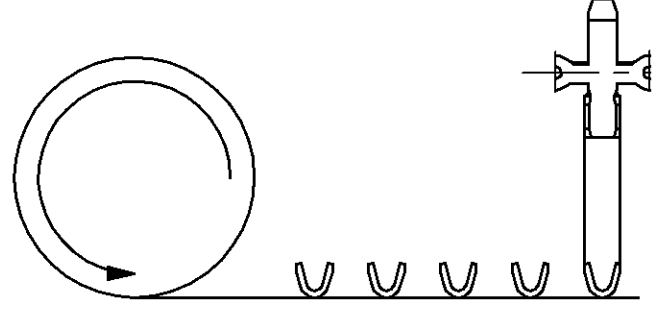
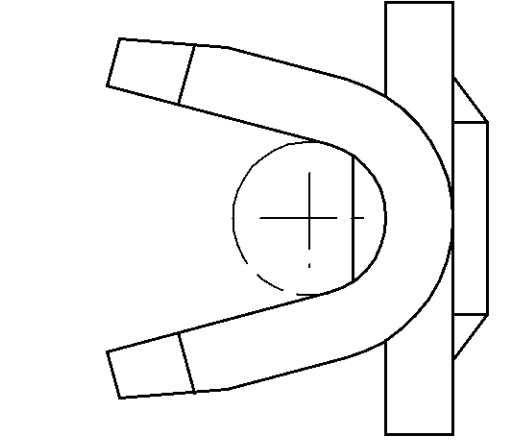
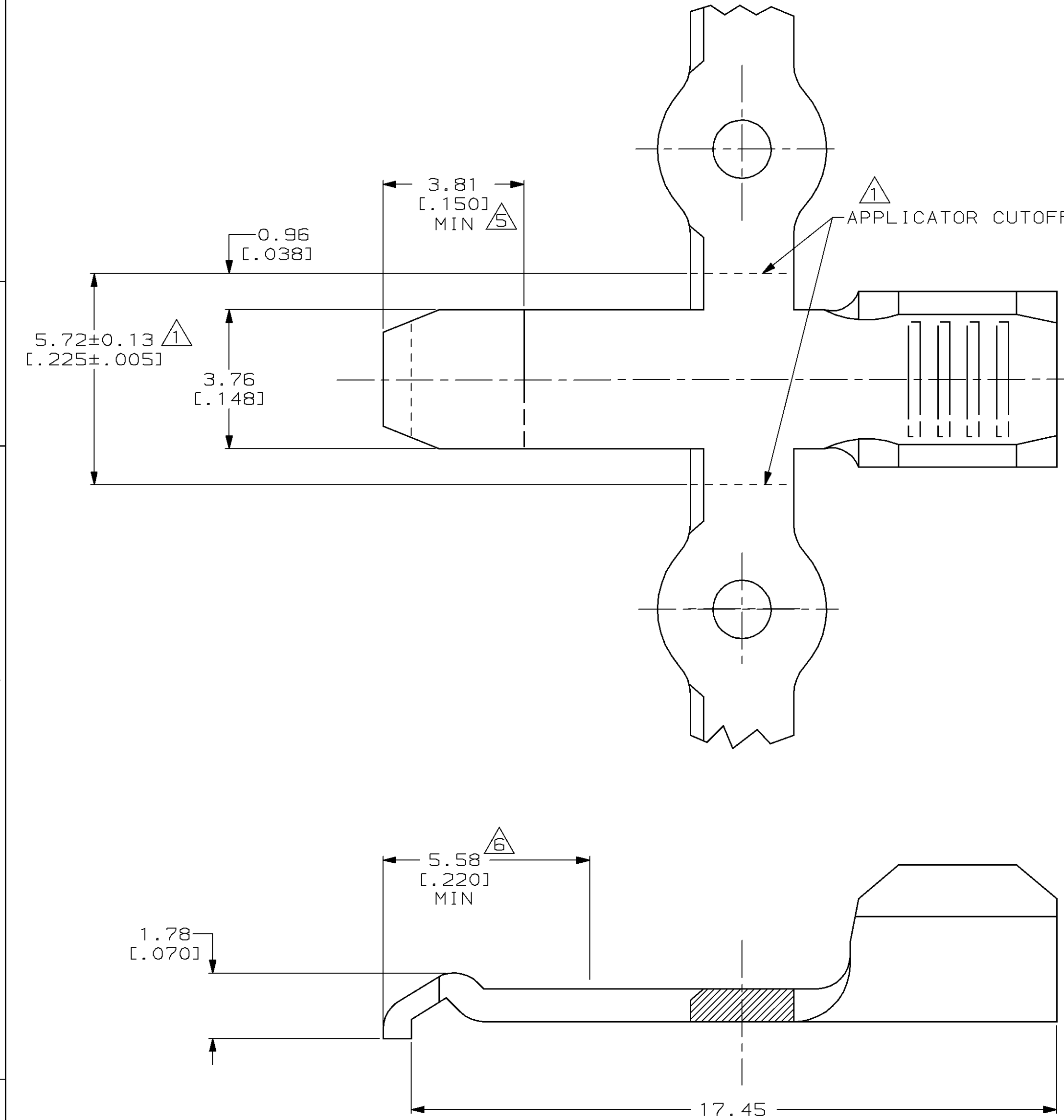


THIS DRAWING IS UNPUBLISHED. RELEASED FOR PUBLICATION
 © COPYRIGHT 19 BY AMP INCORPORATED. ALL INTERNATIONAL RIGHTS RESERVED.

LOC	DIST	P	F	ZONE	LTR	DESCRIPTION	DATE	APPD
FT	60				L	REV; EC 0210-0770-94	3-20-95	TCS
					M	REV PER EC 0320-74-97	02 APR 97	MM



SUPERSEDED BY	FINISH	DESCRIPTION	PART NO
-2	$\triangle 3$ $\triangle 6$	STRIP	1-53892-1
	$\triangle 5$	STRIP	53892-8
	$\triangle 4$	LOOSE PIECE	53892-7
	$\triangle 3$	LOOSE PIECE	53892-4
	$\triangle 3$	STRIP	53892-2

DO NOT SCALE PRINT. UNLESS SPECIFIED DIMENSIONS IN mm [INCHES] TOLERANCES ON : 2 PLC DEC ± 0.20 [.008] 3 PLC DEC ± - ANGLES ± 5°	DR 3-21-94 K TILLMAN/UTA CHK 3-23-94 D. HUSSEY APPD 3-23-94 D. KEMPKA APPD 3-23-94 T. RAY	AMP AMP Incorporated Harrisburg, PA 17105-3608	
MATERIAL $\triangle 2$	PRODUCT SPEC 108-11026	NAME CONTACT, CRIMP BARREL, SERIES 1, POWER LOCK	
FINISH SEE TABLE	APPLICATION SPEC 114-6032	SIZE C	CAGE CODE 00779
	WEIGHT -	DRAWING NO C=53892	SCALE 10:1
		SHEET	1 OF 1

THIS DRAWING IS A CONTROLLED DOCUMENT FOR AMP INCORPORATED. IT IS SUBJECT TO CHANGE AND THE CONTROLLING ENGINEERING ORGANIZATION SHOULD BE CONTACTED FOR THE LATEST REVISION.